

# ATLITE



## ALIGHT DUTY

Steel Emergency Unit  
Incandescent Lamps

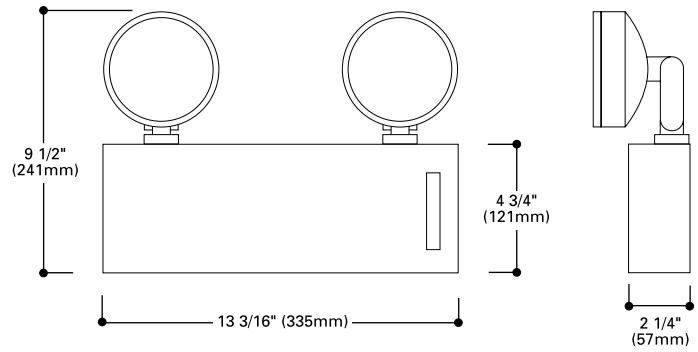
### EMERGENCY LIGHTING

- Dual 120/77 VAC 60Hz input
- Solid state charging and transfer circuitry (no relays are used)
- Two step charger, temperature compensated
- Circuit is battery short circuit and reverse polarity protected and brownout protected
- Low voltage disconnect
- Meets or exceeds all current UL requirements and applicable sections of the Life Safety Code
- Standard finish, white powder coat
- Housing fabricated with 20 gauge cold rolled steel
- Universal mounting KO's provided
- Battery: Sealed maintenance-free long life lead calcium
- Brownout Protected
- Local 3 IBEW
- Available in black

### DESCRIPTION

The A Light Duty is an ideal standard unit for light duty applications. The white powder coat finish unobtrusively blends into the background in any decor. Quality metal construction and electronic reliability combine to make the A Series a popular choice for facilities where moderate loads, economy, ease of installation, safety and reliability are important.

### DIMENSIONS



### ORDERING INFORMATION

Catalog No.	Capacity in Watts (Hours)				DC Voltage	Watts per Head	Replacement Lamp	Ship Wt.
	1.5	2	3	4				
6AC10	10				6	5.4	6RW5	6

### ACCESSORIES

Description	Code
Cord Sets	
120 Volt	3 CP
277 Volt (Specify male plug type)	3 OP
Wire Guards (Consult factory)	

### OPTIONS: Add to Catalog No.

Description	Code
Laser Option Installed	L*
Laser Option Installed with pointer supplied	LP*

\* See page 40 for time-delay selection